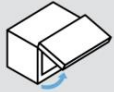


GL-195-JC Lid Stay

Upward opening · Top opening

Opening Direction	Description	Non-handed	Qty	Compression Load
 Upward-opening※	Holds When Fully Opened	Yes	1 Units Per Door	147 N/pc (15 kgf/pc)

※Can also be used for top-opening lid, depending on installation conditions. Please confirm with actual item in detail.

Features

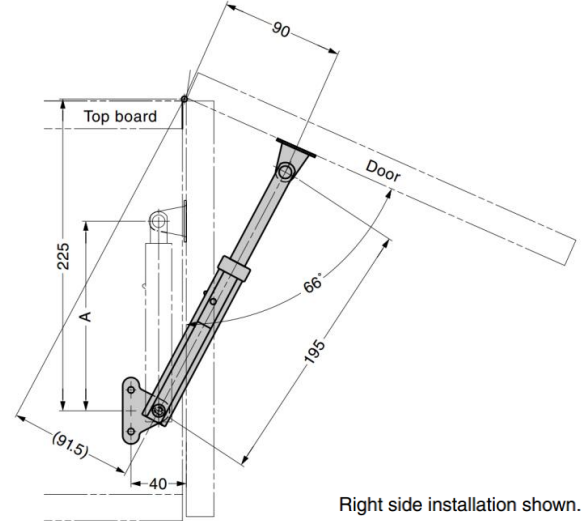
- Holds the lid in fully opened position
- Slightly lift up the lid to release stopper

Notes

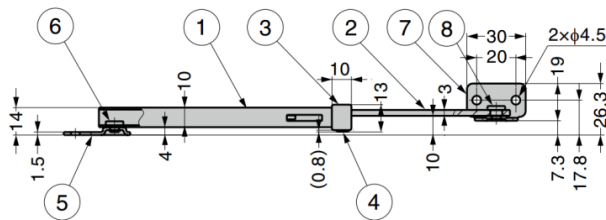
- Appropriate bracket position can be determined depending on door height and opening angle. In this case, ensure that the dimension A when door closed is larger than the minimum dimension when extending and compressing (Otherwise the hinge and lid stay may be damaged)
- Use 1 pc for 1 door. If using 2 pcs, left and right operation may not be synchronised
- Do not use this product as a stopper
- Allow room for stroke depending on installation location and purpose
- Securely fix the mounting screws with screw adhesive



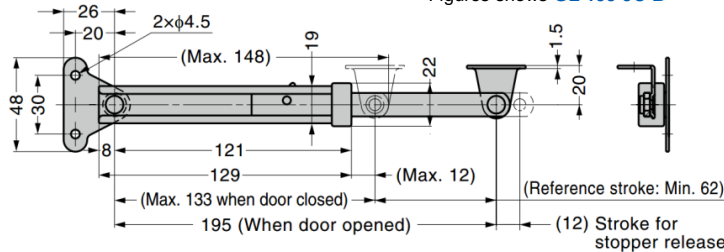
With single knuckle hinge



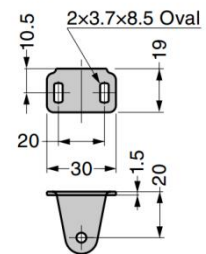
Right side installation shown.



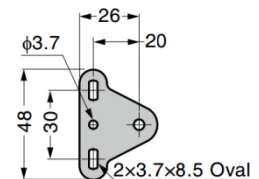
Figures shows GL-195-JC-B



Type A Arm bracket



Type A Case bracket



※Mounting hole shape of GL-195-JC-A shown above

No.	Part Name	Material	Finish
①	Body	Stainless Steel (SUS304)	Barrel Polished
②	Arm	Stainless Steel	-
③	Cover	POM	Plain
④	Blind Rivet	Aluminium Alloy	-
⑤	Case Bracket	Stainless Steel (SUS304)	Barrel Polished
⑥	Shaft	Stainless Steel	Plain
⑦	Arm Bracket	Stainless Steel (SUS304)	Barrel Polished
⑧	Top Shaft	Stainless Steel	Plain

Part No.	Approx. Door Height	Compression Load	
GL-195-JC-A	250 ~ 350	147 N	15 kg
GL-195-JC-B			

